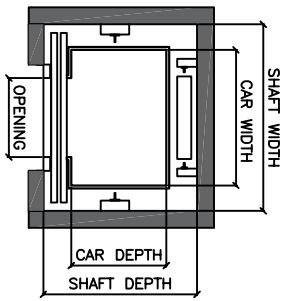
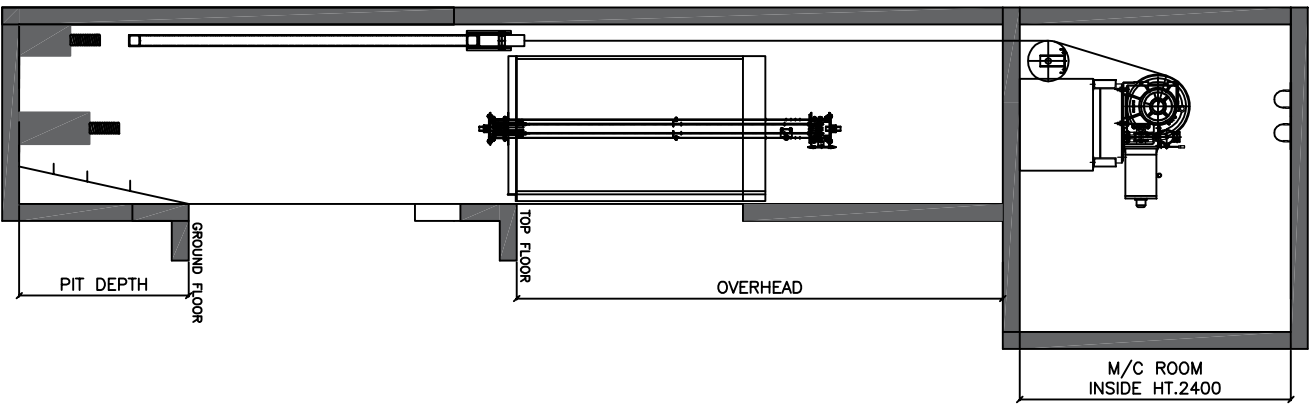
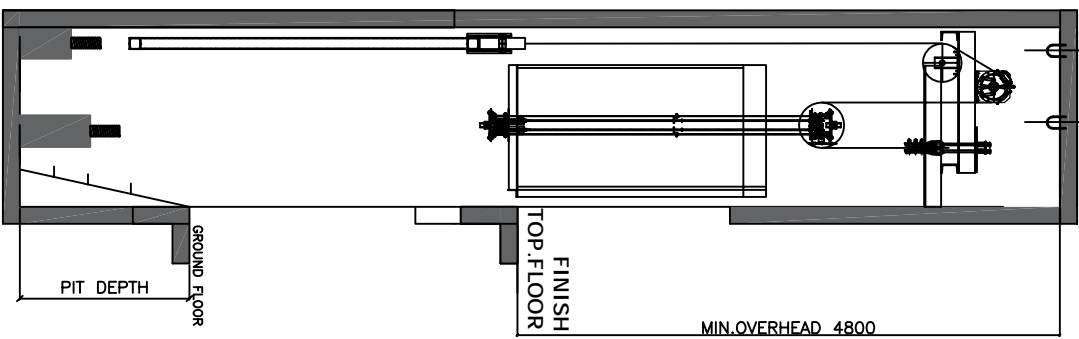


# PASSENGER LIFT WITH MACHINE ROOM



# MRL PASSENGER LIFT



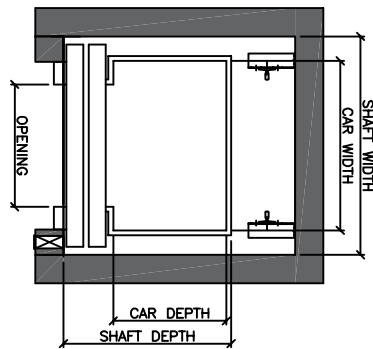
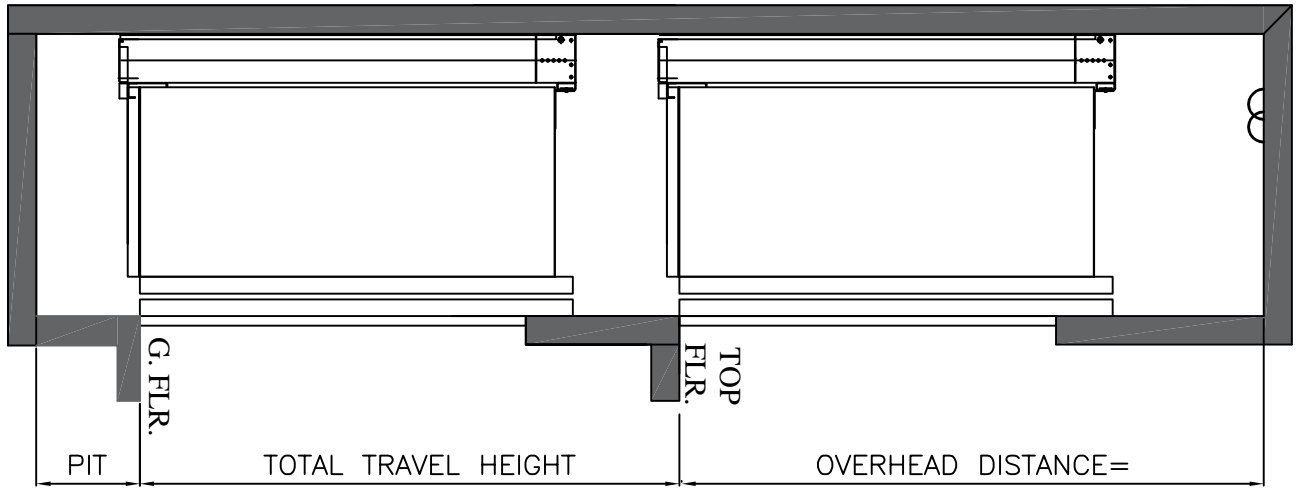
## General Specification

Load/Capacity	UP TO 25 Passenger
Speed	1.0 - 1.6 M/S
Entrance	same side
Drive Systems	Traction
Controller	Microprocessor/PLC
Door Types	Automatic/Manual
Cabin Height	2200
Opening Height	2000

Advantages of MRL Elevators Permanent Magnet Gearless Machine for smooth and quiet operation 1 M/S to 1.6M/S speed range Load range

Lift Type	Pass	Opening	Cabin Size		Shaft Size		Pit	Over Head	
			Width	Depth	Width	Depth		M/C Room	MRL
Passenger Lift	4	700	900	800	1600	1350	1500	4250	4800
	5	700	1000	900	1600	1450			
	6	700	1100	1000	1600	1550			
	8	800	1250	1050	1800	1600			
	10	800	1400	1200	1900	1750			
	13	900	1200	1750	2000	2300	1600		

NOTE:-HOISTWAY PLUMB +25MM



# HOME LIFT

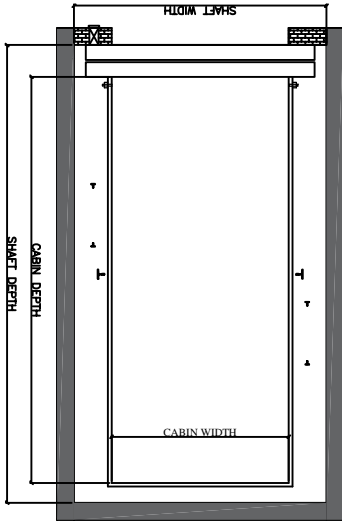
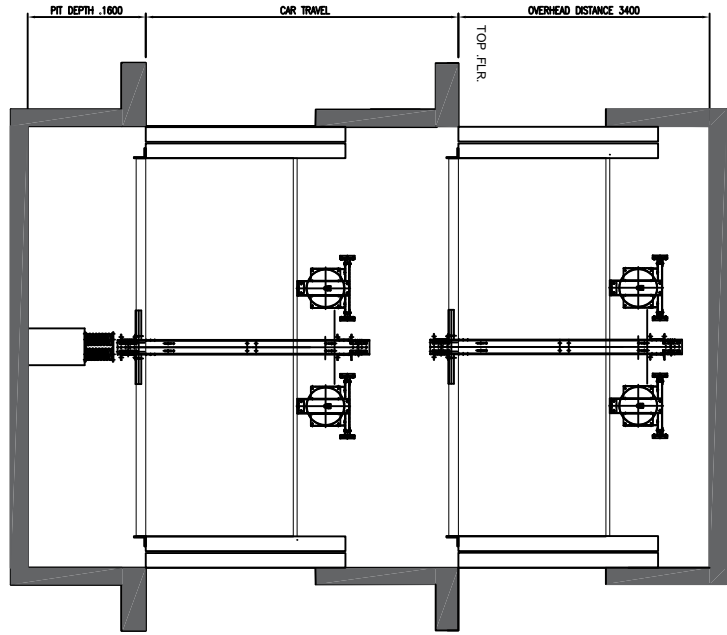
## General Specification

Load/Capacity	6 Passenger
Speed	0.2 - 0.5M/S
Entrance	Opposite/same side
Drive Systems	Hydraulic/Traction
Controller	Microprocessor/PLC
Door Types	Automatic/Manual
Cabin Height	2200
Opening Height	2000

Lift Type	Pass	Opening	Cabin Size		Shaft Size		Pit	Over Head	
			Width	Depth	Width	Depth		Hydraulic	Traction
Home Lift	4	700	900	800	1600	1400	550	3200	4500
	5	700	1000	900	1600	1500			
	6	700	1100	1000	1600	1600			

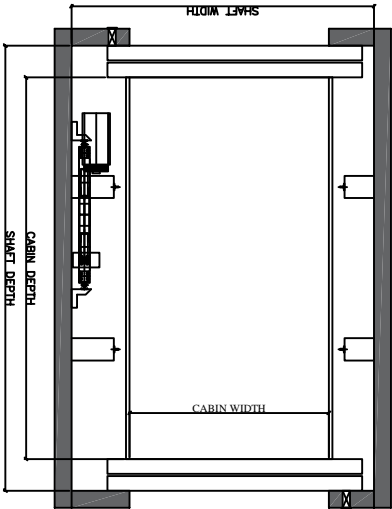
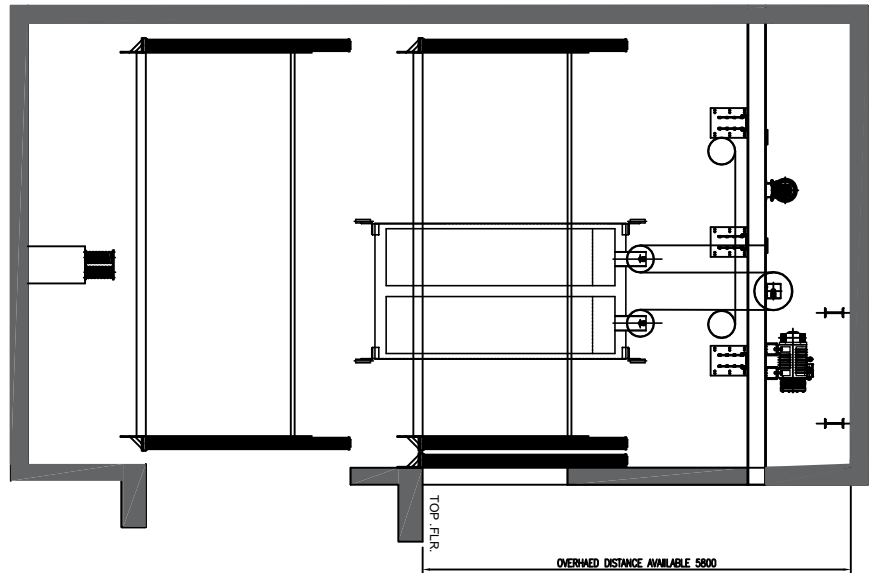
NOTE:-HOISTWAY PLUMB +25MM

HYDRAULIC CAR LIFT



OPP.  
OPENING

TRACTION (MRL) CAR LIFT



## General Specification

Load/Capacity	2000 to 5000
Speed	Up to 1M/S
Entrance	Opposite/same side
Drive Systems	Hydraulic/Traction
Controller	Microprocessor
Door Types	Auto Vertical/Center
Cabin Height	2200
Opening Height	2200

Lift Type	Opening	Cabin Size			Shaft Size		Pit	Over Head	
		Width	Depth	Width	Depth	Hydraulic		MRL	
Car Lift	2700	2700	5600	3600	6200/6500	1600	3400	5800	
	2600	2600	5600	3500	6200/6500				
	2500	2500	5500	3400	6100/6400				
	2400	2400	5400	3300	6000/6300				
	2300	2300	5300	3200	5900/6200				
	2200	2200	5200	3100	5800/6100				

NOTE:-HOISTWAY PLUMB +25MM